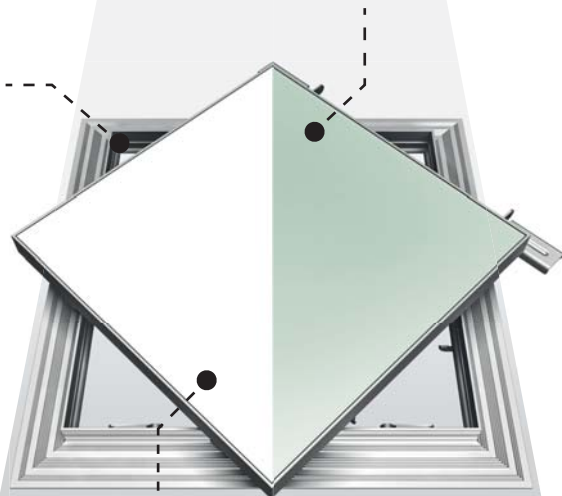


ACCESS PANEL US GKB(i) with plasterboard inlay

Silicone seal (Available on request)
Silicone seal to increase resistance to dust and moisture penetration.

Product code	Product name	A (mm)	B (mm)	Plasterboard (mm)
10.20.20	RKS US GKB - White plasterboard	200	200	12,5
10.30.30	RKS US GKB - White plasterboard	300	300	12,5
10.40.40	RKS US GKB - White plasterboard	400	400	12,5
10.50.50	RKS US GKB - White plasterboard	500	500	12,5
10.60.60	RKS US GKB - White plasterboard	600	600	12,5
20.20.20	RKS US GKB - Green plasterboard	200	200	12,5
20.30.30	RKS US GKB - Green plasterboard	300	300	12,5
20.40.40	RKS US GKB - Green plasterboard	400	400	12,5
20.50.50	RKS US GKB - Green plasterboard	500	500	12,5
20.60.60	RKS US GKB - Green plasterboard	600	600	12,5

Plasterboard GKBi
- green impregnated board intended for use in damp areas (e.g. bathrooms).



Plasterboard GKB
- standard white board intended for use in ordinary rooms or spaces.



ACCESS PANEL REMOVABLE NEW GENERATION



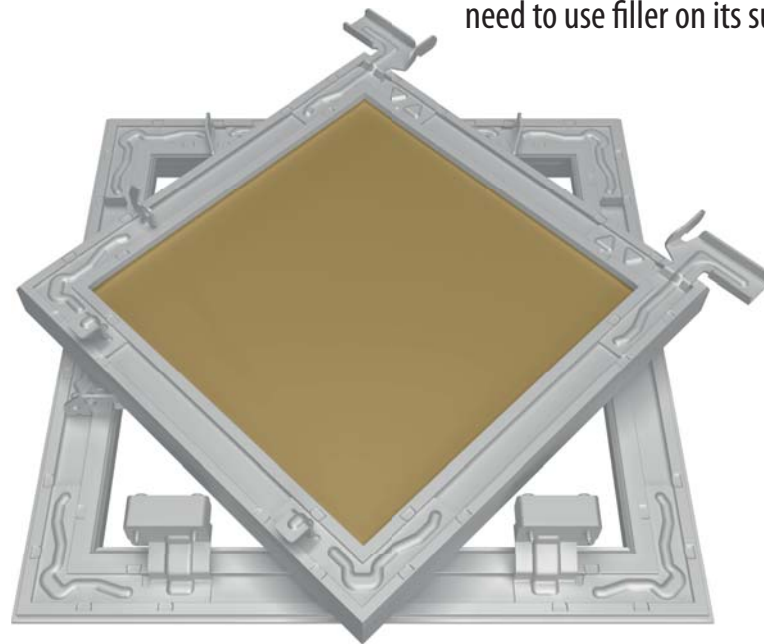
Endurance

Combination of special aluminium profiles and by stamped reinforced corners guarantees high mechanical resistance in all circumstances.

Versatility

The access panel can be additionally equipped with a silicon seal in order to increase its resistance to the penetration of dust, moisture and improve their acoustic reduction.

Access panel US
GKB 12,5mm



Simplicity

The construction with removable door leaf adapted for easy installation in connection with the gluing of plasterboard, without the need to use filler on its surface, will speed up your work.

Elegance

Opening mechanism completely hidden inside the door and the slim line of the aluminium frame allows the access panel undisturbedly blend in with any surroundings.

Quality

Smooth-running push locks and steel hinges guarantee long and trouble-free use.



Access panel US
GKBi 12,5mm